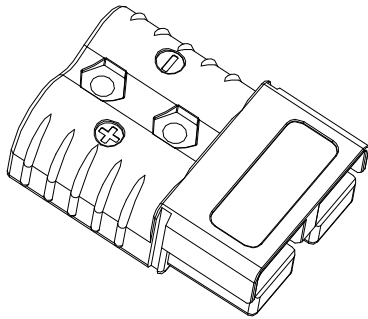
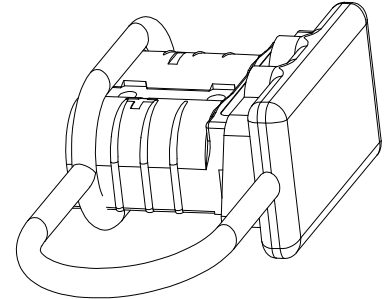
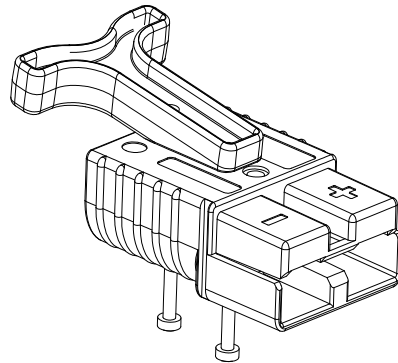


SP120 Connector



Multipole Power Connectors



特性和优点

- 无公母胶壳
提供简化组装，最大程度减少元件数量
- 低电阻连接
胶壳内部接触紧密的镀银或镀锡铜接触件
- 热插拔交流或直流
接触件带有牺牲端头，实现高电流电路中断
- 胶壳具有防误接功能并以不同颜色标识
防止意外的电路对接
- 自防护设计
不锈钢弹簧在接触件之间产生牢固的作用力，将连接器固定在配接位置
- 辅助或接地触点
用于信号传输或提高预接地触点的安全性

FEATURES & BENEFITS

- Genderless Housings
Provide simplified assembly and minimize the number of components
- Low Resistance Connection
Silver or tin plated copper contacts inside housings that strongly force the contacts together
- Hot Plugging AC or DC
Contacts feature a sacrificial tip that allows high current circuit interrupt
- Keyed & Color Coded Housings
Prevents accidental cross mating of circuits
- Self Securing Design
Stainless steel springs create a robust force between the contacts that holds the connector in the mated position
- Auxiliary or Ground Positions
For signal transmission or the added safety of a premate ground position

| 产品规格\ Product specifications

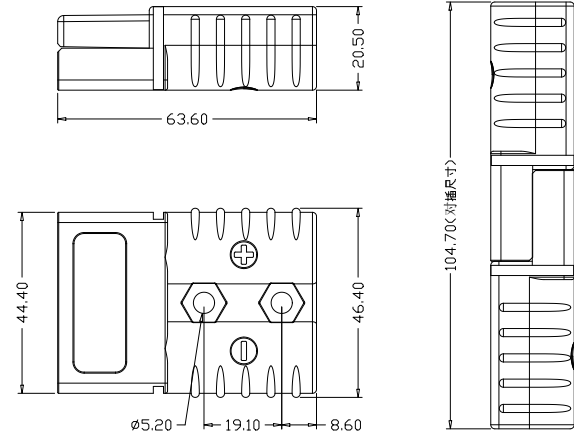
额定电流 (安培)\ Rated Current (Amperes)	120A
额定电压 (伏特)\ Rated Voltage (Voltage)	600V
接线尺寸 (AWG)\ Contact Barrel Wire Size (AWG)	2/ 4/6AWG (13.3mm ² -21.1/33.6mm ²)
平均接触电阻\ Average contact resistance	0.05MΩ
耐电压\ Voltage proof	2200V (DC)
绝缘电阻\ Insulation resistance	500MΩ
A. 无负载 (连接断开)\ No load (Contact/Disconnect Cycles)	To10,000
B. 带负载 (热插拔次@120v)\ Under Load (Hot Plug 250 cycles@120V)	60A
平均插拔力\ Avg. Unmating Force	85N
胶壳防火等级\ Flammability Rating of Housing Material	UL94 V-0
工作温度\ Operating temperature range	-20° to 105°
接触材料\ Contact material	铜镀银 Copper\Plating Silver

东莞市格普电子科技有限公司

| 胶壳\Housings

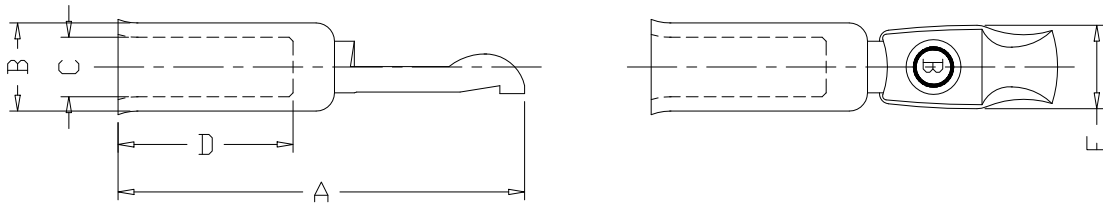
零件料号\Part Numbers	
灰色\Gray	SP6810G1
蓝色\Blue	SP6810G2
红色\RED	SP6810G3

颜色\Color	电压\ Voltage
灰色\Gray	36V
蓝色\Blue	48V
红色\RED	24V



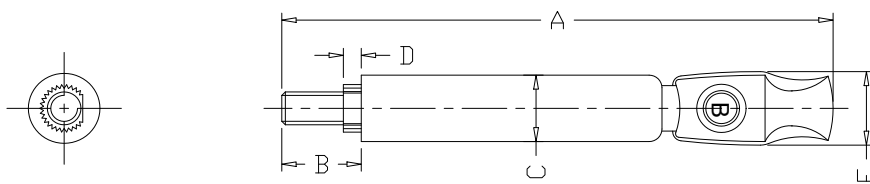
| 端子\Terminal

零件料号\ Part Numbers	-A- (mm)	-B- (mm)	-C-(mm)	-D-(mm)	-E-(mm)	线径\Wire(AWG\mm ²)
SP1319G2	50.8	11.2	8.6	21.3	10.4	2AWG\33.6 mm ²
SP1319G4	50.8	11.2	7.6	21.3	10.4	4AWG\21.1 mm ²
SP1319G6	50.8	11.2	5.6	21.3	10.4	6AWG\13.3 mm ²



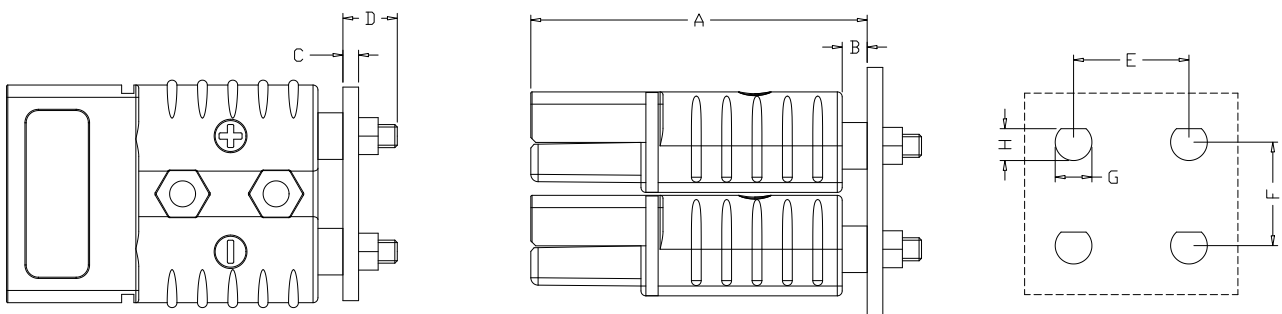
| PCB 端子\PCB Terminal

零件料号\ Part Numbers	-A- (mm)	-B- (mm)	-C-(mm)	-D-(mm)	-E-(mm)	线径\Wire(AWG\mm ²)
SP5075BBS	77	11.1	9.5	2.5	10.4	#10-24THD



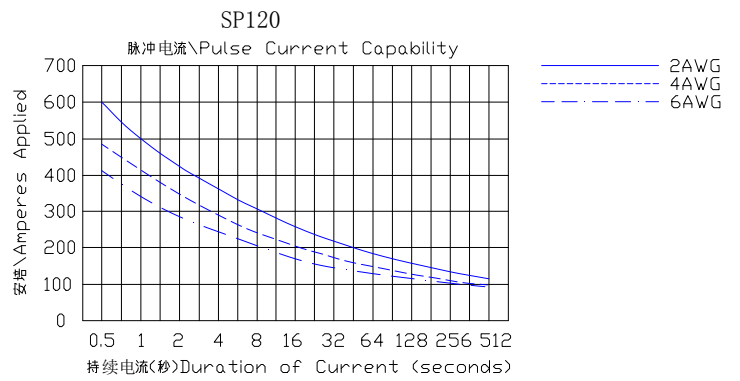
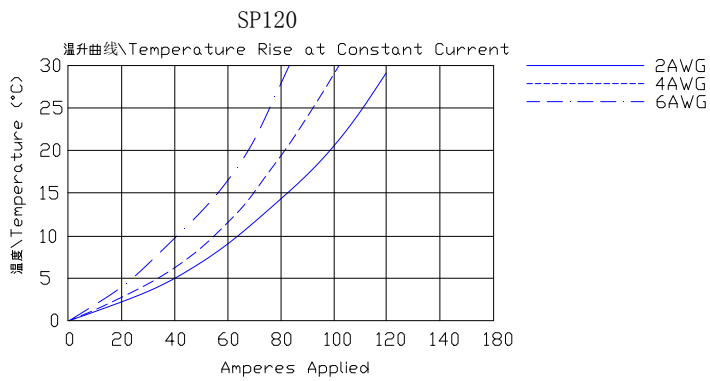
| BBS 端子安装图\Bus Bar Mounting Table

零件料号\ Part Numbers	-A- (mm)	-B- (mm)	-C-(mm)	-D-(mm)	-E-(mm)	-F-(mm)	-G-(mm)	-H-(mm)
SP5075BBS	68.6	5.1	3.2~12.7	11.2	23.57	21.1	7.5	6.5



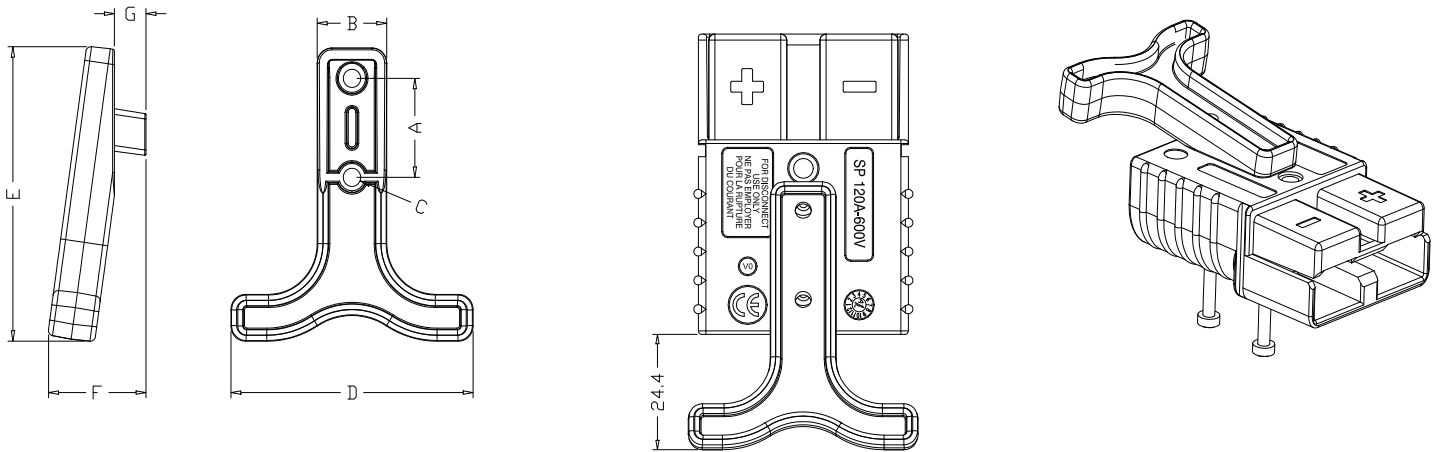
东莞市格普电子科技有限公司

| 温升图\ Temperature rise charts



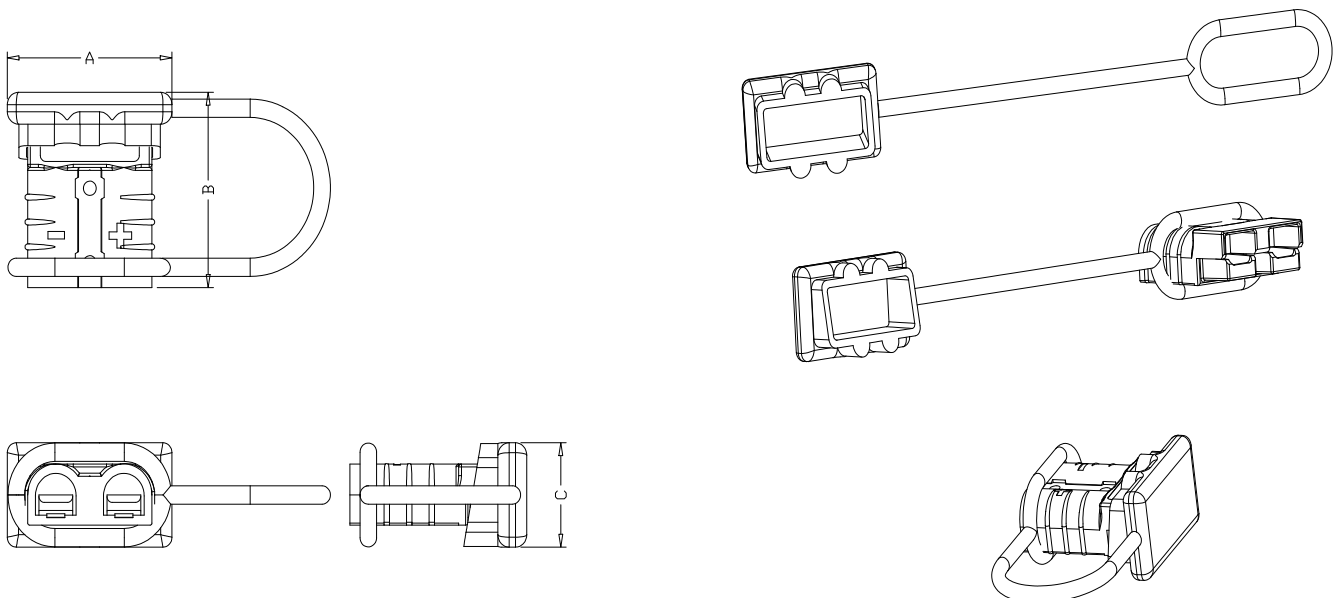
| 拉手\ Handle

零件料号\ Part Numbers	-A- (mm)	-B- (mm)	-C-(mm)	-D-(mm)	-E-(mm)	-F-(mm)	-G-(mm)	Colour
SP113899P1	19.1	14.5	3.5	49.5	57.8	13.5	6.3	RED



| 防尘盖\ Dust cover

零件料号\ Part Numbers	-A- (mm)	-B- (mm)	-C-(mm)	Colour
SP134G4	50	66	31.2	RED



东莞市格普电子科技有限公司