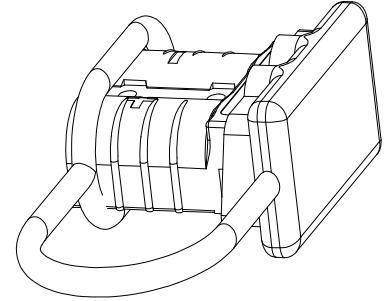
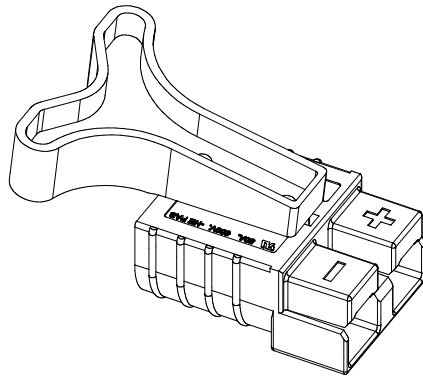
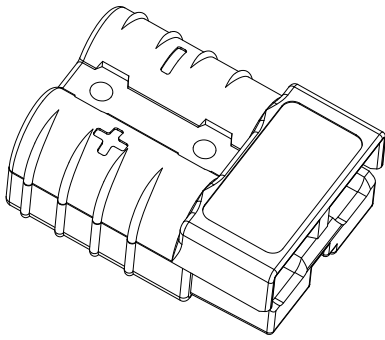


SP50A Connector

Multipole Power Connectors



特性和优点

- 无公母胶壳
提供简化组装，最大程度减少元件数量
- 低电阻连接
胶壳内部接触紧密的镀银或镀锡铜接触件
- 热插拔交流或直流
接触件带有牺牲端头，实现高电流电路中断
- 胶壳具有防误接功能并以不同颜色标识
防止意外的电路对接
- 自防护设计
不锈钢弹簧在接触件之间产生牢固的作用力，将连接器固定在配接位置
- 辅助或接地触点
用于信号传输或提高预接地触点的安全性

FEATURES & BENEFITS

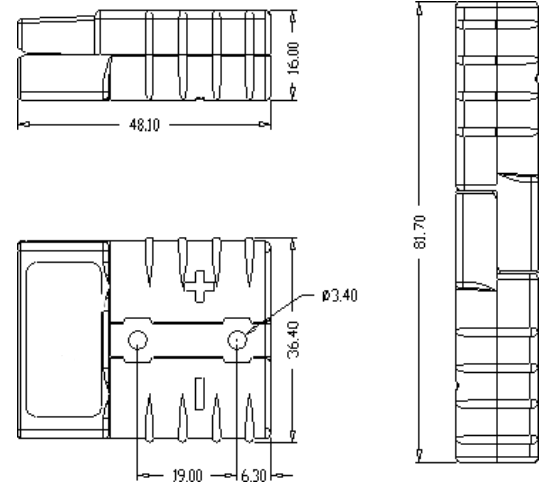
- Genderless Housings
Provide simplified assembly and minimize the number of components
- Low Resistance Connection
Silver or tin plated copper contacts inside housings that strongly force the contacts together
- Hot Plugging AC or DC
Contacts feature a sacrificial tip that allows high current circuit interrupt
- Keyed & Color Coded Housings
Prevents accidental cross mating of circuits
- Self Securing Design
Stainless steel springs create a robust force between the contacts that holds the connector in the mated position
- Auxiliary or Ground Positions
For signal transmission or the added safety of a premate ground position

| 产品规格\ Product specifications

额定电流(安培)\ Rated Current (Amperes)	50A
额定电压(伏特)\ Rated Voltage (Voltage)	600V
接线尺寸(AWG)\ Contact Barrel Wire Size (AWG)	6AWG/ 10/12AWG (13.3mm ² -5.3/3.3mm ²)
平均接触电阻\ Average contact resistance	0.2mΩ
耐电压\ Voltage proof	2200V (DC)
绝缘电阻\ Insulation resistance	500MΩ
A. 无负载(连接断开)\ No load (Contact/Disconnect Cycles)	To10,000
B. 带负载(热插拔次@120v)\ Under Load (Hot Plug 250 cycles@120V)	50A
平均插拔力\ Avg. Unmating Force	53N
胶壳防火等级\ Flammability Rating of Housing Material	UL94 V-0
工作温度\ Operating temperature range	-20° to 105°
接触材料\ Contact material	铜镀银 Copper\Plating Silver

| 胶壳\Housings

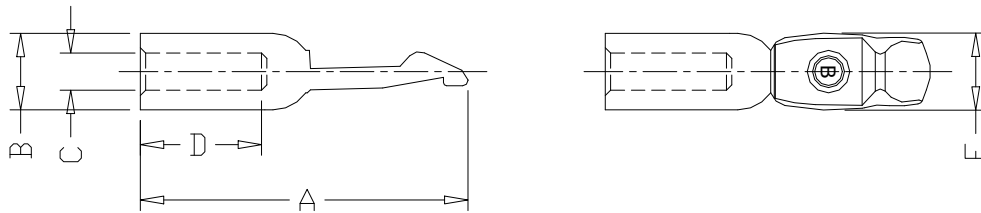
零件料号\Part Numbers		颜色\Color	电压\ Voltage
黄色\Yellow	SP992G5	黄色\Yellow	12V
橙色\Orange	SP992G7	橙色\Orange	18V
红色\Red	SP992G1	红色\Red	24V
灰色\Gray	SP992	灰色\Gray	36V
蓝色\Blue	SP992G4	蓝色\Blue	48V
绿色\Green	SP992G6	绿色\Green	72V
黑色\Black	SP992G2	黑色\Black	80V



注:SP50 黑色跟灰色外壳接口是一致的两者可以对插使用。 NOTE: SP50 Black and Gray housings have the same keying features and can be intermated.

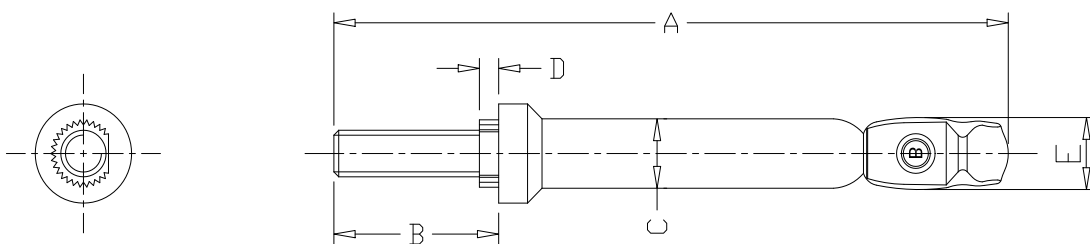
| 端子\Terminal

零件料号\ Part Numbers	-A- (mm)	-B- (mm)	-C-(mm)	-D-(mm)	-E-(mm)	线径\Wire(AWG\mm ²)
SP5900	31	7.2	5.6	11.4	7.3	6AWG\13.3 mm ²
SP5952	31	7.2	4.7	11.4	7.3	8AWG\8.4 mm ²
SP5915	31	7.2	3.5	11.4	7.3	10to12AWG\3.3to5.3 mm ²



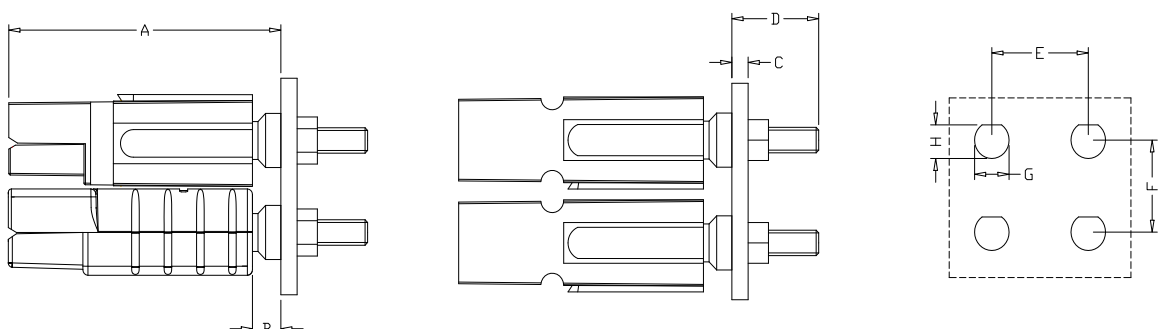
| PCB 端子\PCB Terminal

零件料号\ Part Numbers	-A- (mm)	-B- (mm)	-C-(mm)	-D-(mm)	-E-(mm)	线径\Wire(AWG\mm ²)
SP5075BBS	70	17.1	7.0	2.0	7.3	#10-24THD

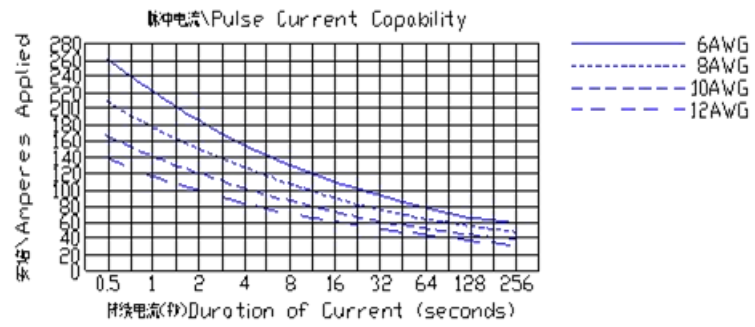
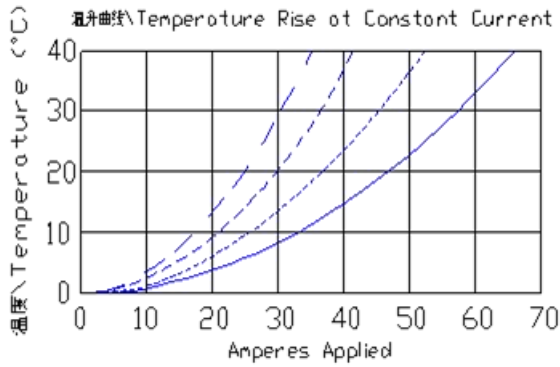


| BBS 端子安装图\Bus Bar Mounting Table

零件料号\ Part Numbers	-A- (mm)	-B- (mm)	-C-(mm)	-D-(mm)	-E-(mm)	-F-(mm)	-G-(mm)	-H-(mm)
SP5075BBS	53.6	5.6	3.2~12.7	17.1	19.0	17.0	6.8	6.2

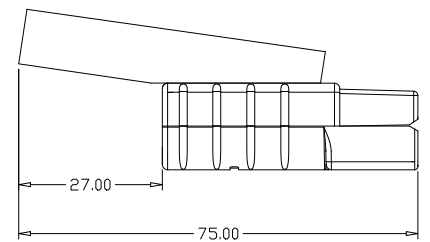
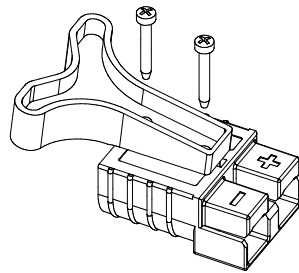
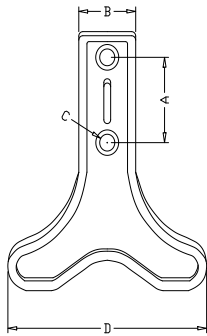
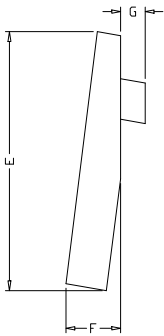


| 温升图\ Temperature rise charts



| 拉手\ Handle

零件料号\ Part Numbers	-A- (mm)	-B- (mm)	-C-(mm)	-D-(mm)	-E-(mm)	-F-(mm)	-G-(mm)	Colour
SP113899P1	19.1	14.5	3.5	49.5	57.8	13.5	6.3	RED



| 拉手\ Handle

零件料号\ Part Numbers	-A- (mm)	-B- (mm)	-C-(mm)	Colour
SP134G1	46.5	51.6	27.9	RED

