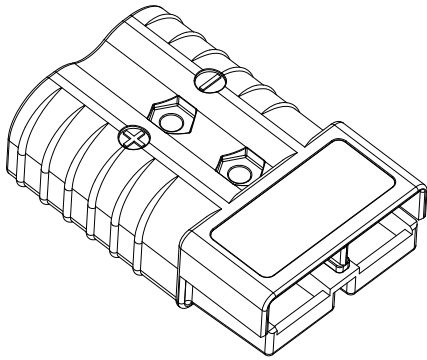
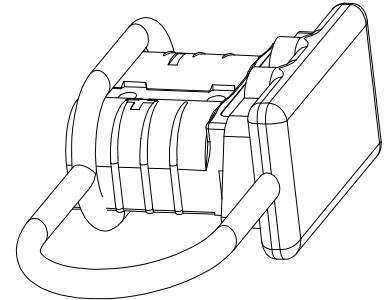
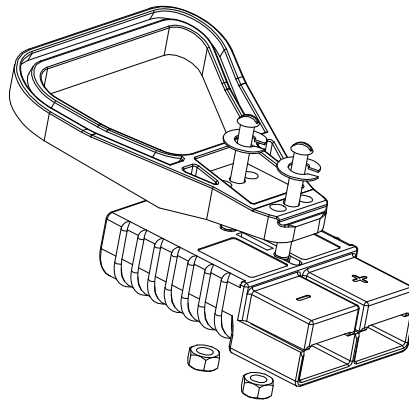


SP350

Connector



Multipole Power Connectors



特性和优点

- 无公母胶壳
提供简化组装，最大程度减少元件数量
- 低电阻连接
胶壳内部接触紧密的镀银或镀锡铜接触件
- 热插拔交流或直流
接触件带有牺牲端头，实现高电流电路中断
- 胶壳具有防误接功能并以不同颜色标识
防止意外的电路对接
- 自防护设计
不锈钢弹簧在接触件之间产生牢固的作用力，将连接器固定在配接位置
- 辅助或接地触点
用于信号传输或提高预接地触点的安全性

FEATURES & BENEFITS

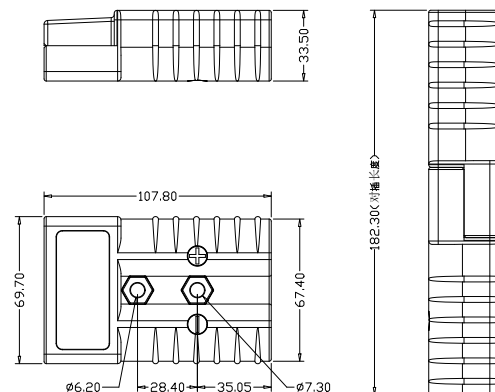
- Genderless Housings
Provide simplified assembly and minimize the number of components
- Low Resistance Connection
Silver or tin plated copper contacts inside housings that strongly force the contacts together
- Hot Plugging AC or DC
Contacts feature a sacrificial tip that allows high current circuit interrupt
- Keyed & Color Coded Housings
Prevents accidental cross mating of circuits
- Self Securing Design
Stainless steel springs create a robust force between the contacts that holds the connector in the mated position
- Auxiliary or Ground Positions
For signal transmission or the added safety of a premate ground position

| 产品规格\ Product specifications

额定电流(安培)\Rated Current(Amperes)	350A
额定电压(伏特)\ Rated Voltage(Voltage)	600V
接线尺寸(AWG)\Contact Barrel Wire Size(AWG)	1/0 2/0 AWG (53.5mm ² -67.4mm ²)
平均接触电阻\Average contact resistance	0.05MΩ
耐电压\Voltage proof	2200V(DC)
绝缘电阻\Insulation resistance	500MΩ
A. 无负载(连接断开)\ No load (Contact/Disconnect Cycles)	To10,000
B. 带负载(热插拔次@120v)\Under Load (Hot Plug 250 cycles@120V)	100A
平均插拔力\Avg.Unmating Force	130N
胶壳防火等级\Flammability Rating of Housing Material	UL94 V-0
工作温度\Operating temperature range	-20° to 105°
接触材料>Contact material	铜镀银 Copper\Plating Silver

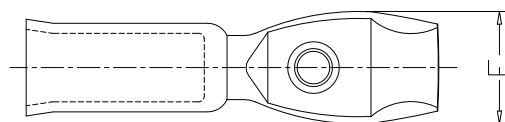
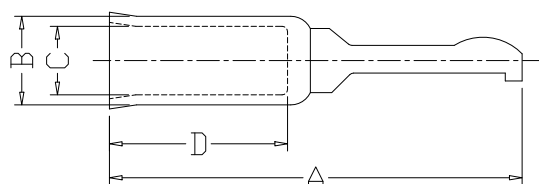
| 胶壳\Housings

零件料号\Part Numbers		颜色\Color	电压\ Voltage
灰色\Gray	SP906	灰色\Gray	36V
蓝色\Blue	SP912	蓝色\Blue	48V
橙色\Orange	SP932	橙色\Orange	18V
黄色\Yellow	SP914	黄色\Yellow	12V
红色\RED	SP913	红色\RED	24V



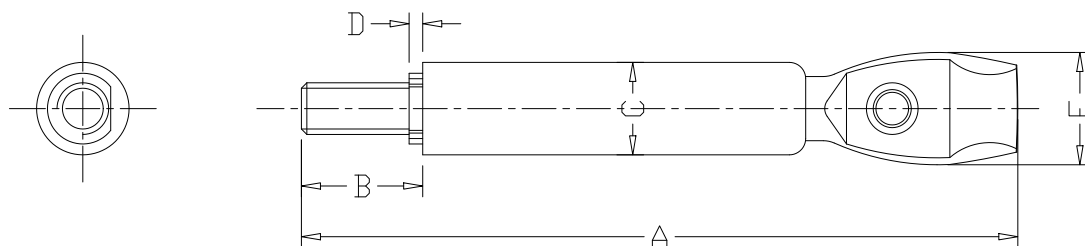
| 端子\Terminal

零件料号\ Part Numbers	-A- (mm)	-B- (mm)	-C-(mm)	-D-(mm)	-E-(mm)	线径\Wire(AWG\mm ²)
SP917	76	16.3	12.6	32.8	20.6	1\0AWG\53.5 mm ²
SP907	76	16.3	11.1	32.8	20.6	2\0AWG\67.4 mm ²



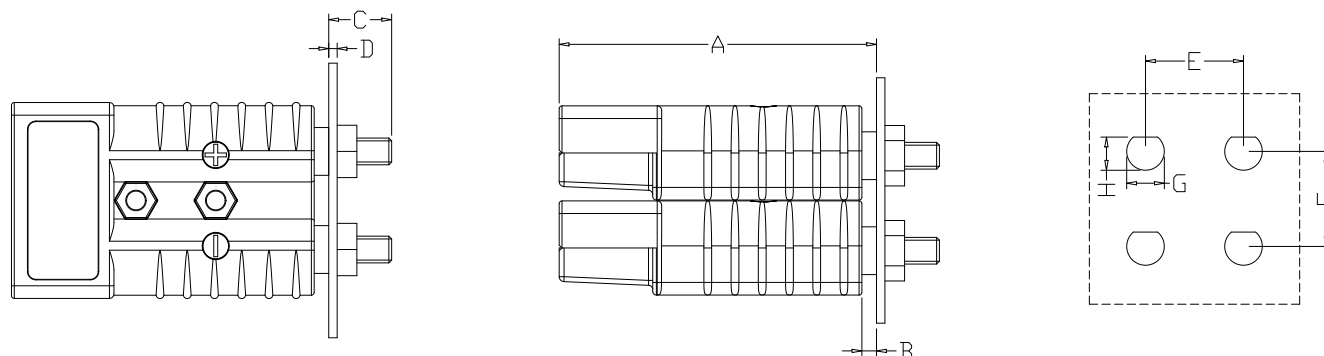
| PCB 端子\PCB Terminal

零件料号\ Part Numbers	-A- (mm)	-B- (mm)	-C-(mm)	-D-(mm)	-E-(mm)	线径\Wire(AWG\mm ²)
SP350BBS	131.7	22.3	17.0	2.5	20.6	#3/8-16THD



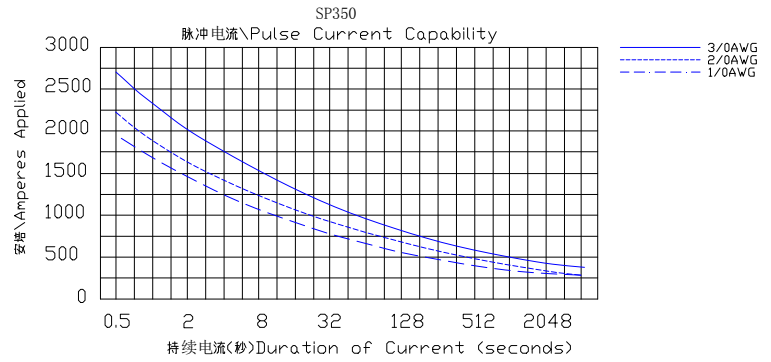
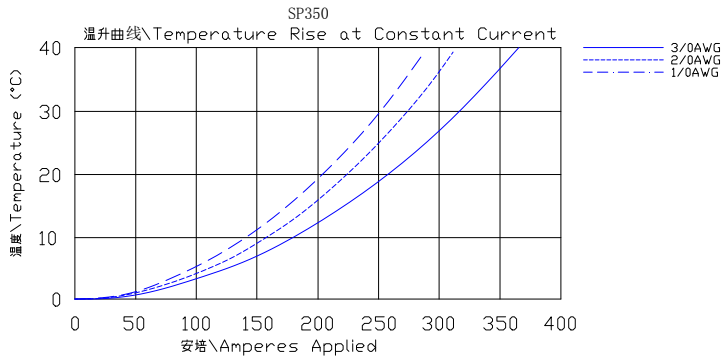
| BBS 端子安装图\Bus Bar Mounting Table

零件料号\ Part Numbers	-A- (mm)	-B- (mm)	-C-(mm)	-D-(mm)	-E-(mm)	-F-(mm)	-G-(mm)	-H-(mm)
SP350BBS	113.0	5.1	22.4	3.0	34.9	33.8	13.34	11.8



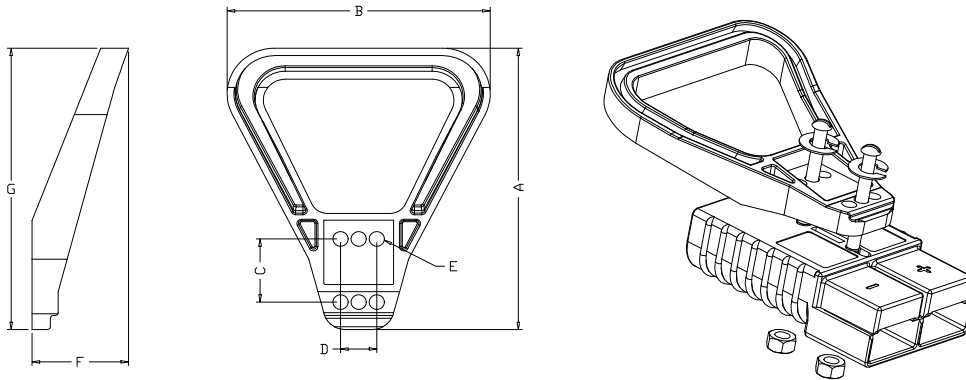
东莞市格普电子科技有限公司

| 温升图\ Temperature rise charts



| 拉手\ Handle

零件料号\ Part Numbers	-A- (mm)	-B- (mm)	-C-(mm)	-D-(mm)	-E-(mm)	-F-(mm)	-G-(mm)	Colour
SP995G4	123.8	114.3	28.6	15.8	6.6	41.6	127	RED\红色
SP995G2	123.8	114.3	28.6	15.8	6.6	41.6	127	Gray\灰色



| 防尘盖\ Dust cover

零件料号\ Part Numbers	-A- (mm)	-B- (mm)	-C-(mm)	Colour
SP134G4	88.1	112.8	48.3	RED

